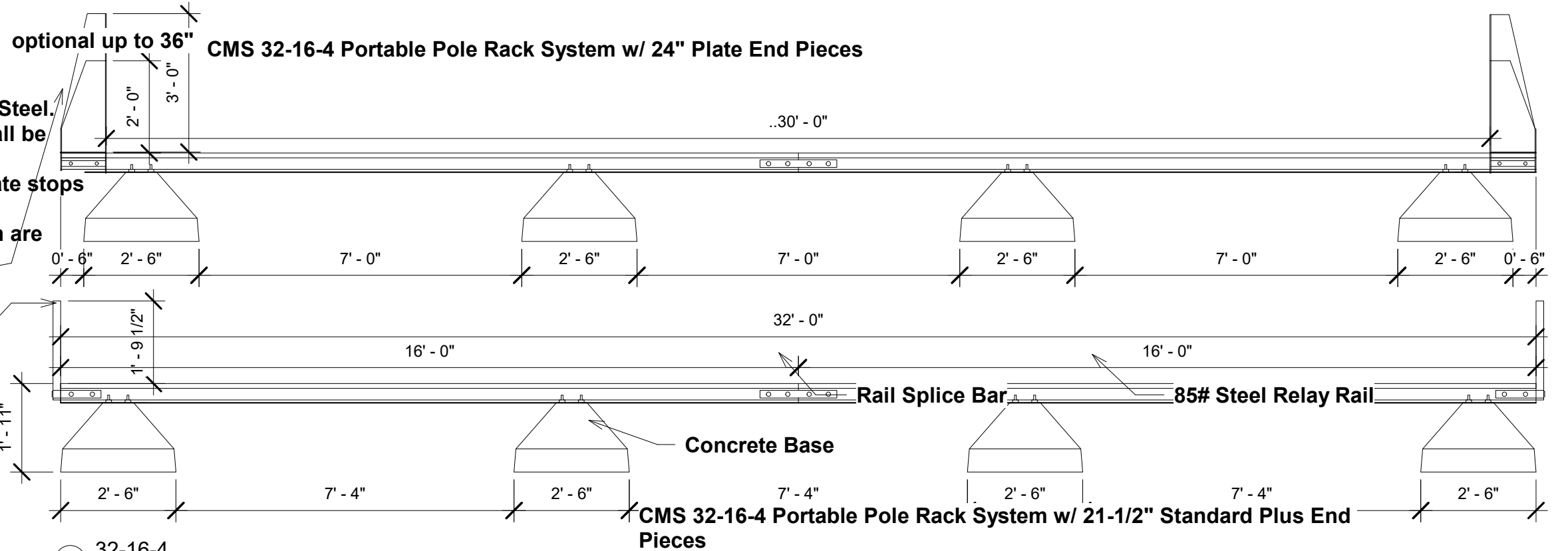


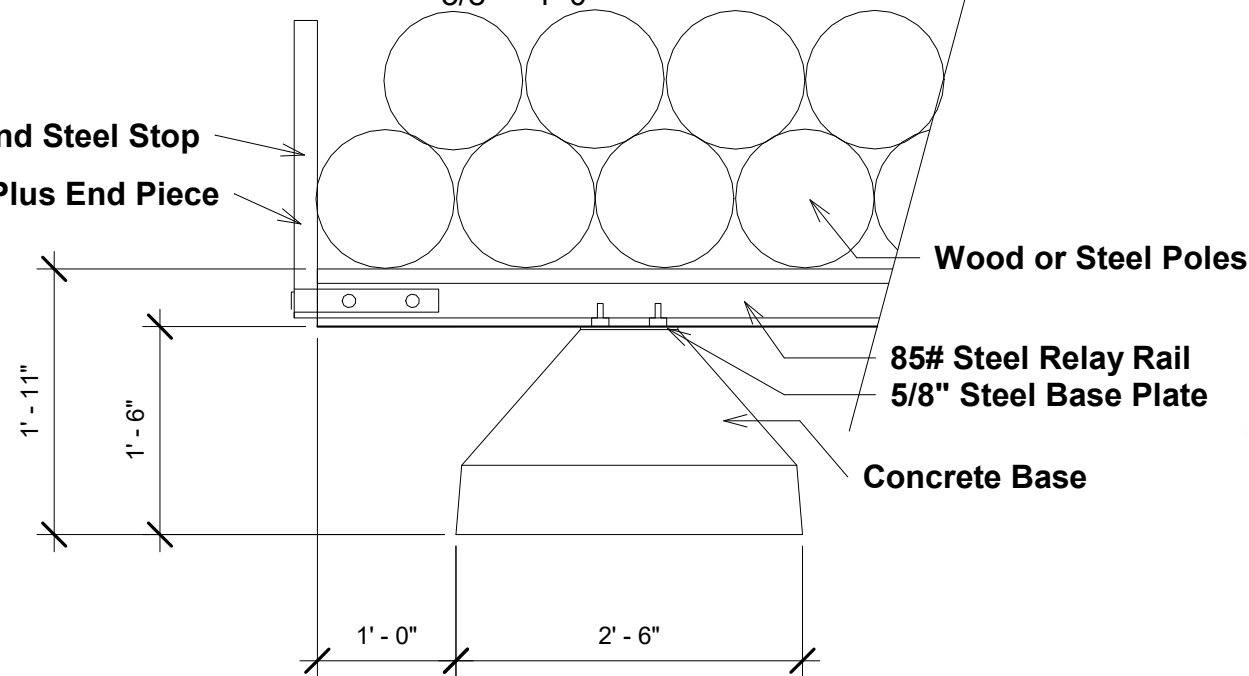
Notes:

1. Concrete shall be 4000 PSI with 6% air entrainment
2. All anchor bolts shall be high strength Steel.
3. Rail Clips, Bolts, Nuts and washers shall be plated
4. All steel rail, end pieces and intermediate stops shall be primed with red oxide paint.
5. All component parts of the CMS system are interchangeable.
6. Maximum Loading 96,000# Per Rack.



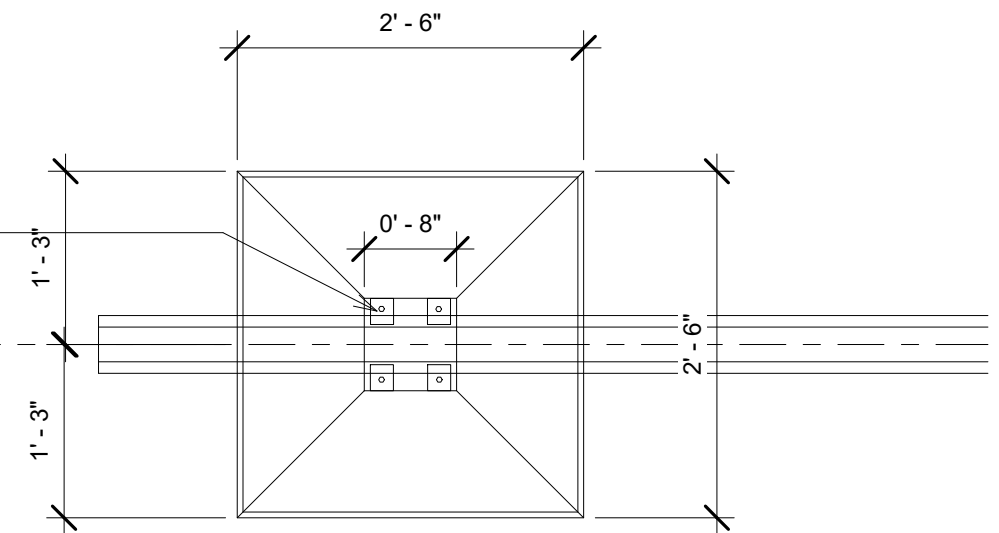
① 32-16-4
3/8" = 1'-0"

2" Round Steel Stop
21-1/2" Standard Plus End Piece



② Base Detail Copy 1
3/4" = 1'-0"

US Patent Pending



③ Concrete Base Plan Copy 1
3/4" = 1'-0"



CMS Utility Services, Inc.
Special Design

No.	Description	Date

32-16-4 Portable Pole Rack		
Project number	Spec. Drawing	S-104
Date	December 10, 2024	
Drawn by	Author	Scale As indicated
Checked by	Checker	